

# M-Trac 2.0

## Walk-Behind Multitool



**MADADOR**<sup>®</sup>  
MADE IN HOLLAND

# M-Trac | the 100% electric Walk-Behind Multitool

Care about the environment,  
care about ergonomics, health  
and people. For those who  
deserve the best.



M-Trac 2.0 is your every day, walk behind or sit behind, indoor- and outdoor compact tool. Connect the M-Trac to all types of universal tools. With the universal attachment adaptor, you turn the M-Trac into a snow plough, a lawn mower, a harrow, a city-cleaner, a leaf blower and more!

This 100% electric two-wheel carrier with zero % noise, vibration, and emissions, is the new tool for every citycleaner, gardener, farmer, or greenkeeper. M-Trac is the perfect buddy for maintaining:

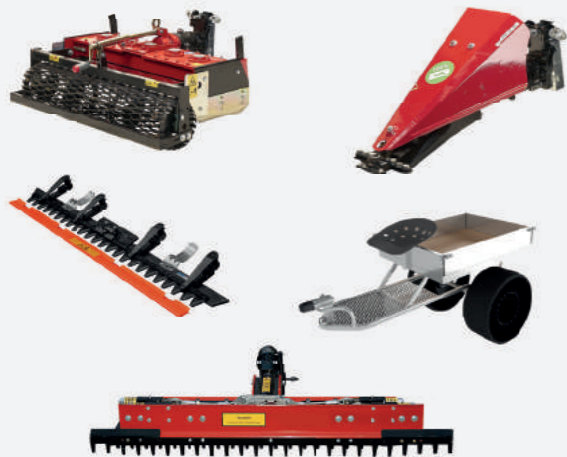
- Greenhouses
- Warehouses
- Malls
- Event Halls
- Holiday resorts
- Graveyards

**100%**  
electric | **0%**  
emission, noise  
or vibration

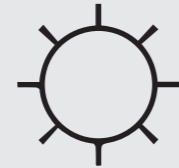
## Spring



- 14501 – Mowing Bar Machine MA-80
- 14502 – Cutterbar UM-137
- 13705 – Double Gyration Grader KP-125
- 14056 – Weed Extractor with trim lines



## Summer



- 14282 – Pathway Weeder WP-90
- 13892 – Weed Extractor WB-60 (single)
- 14036 – Weed Extractor WE-90 (double)
- 14500 – Sickle Mulching Machine VS-L-VS-80
- 14352 – Vertical Flail Machine VS-80



## Autumn



- 14833 – Leaf blower
- 14503 – Combi Sweeper KM-120-combi



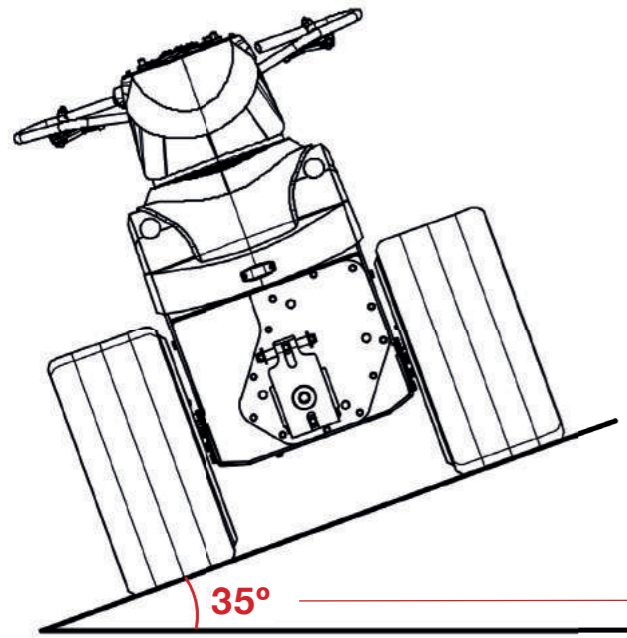
## Winter



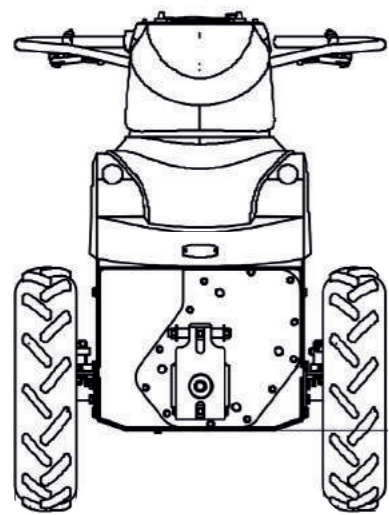
- 14506 – Snowplough RS-150
- 14504 – Combi (snow) Sweeper BU-GROB
- 14505 – Combi (snow) Sweeper BU-FEIN
- 14507 – Snow Thrower SE-100
- 14508 – Salt, Gravel and sand spreader SA50-400



# Multi-terrain All-rounder



Steep hills or bumps are no problem up to an angle of inclination of 35°



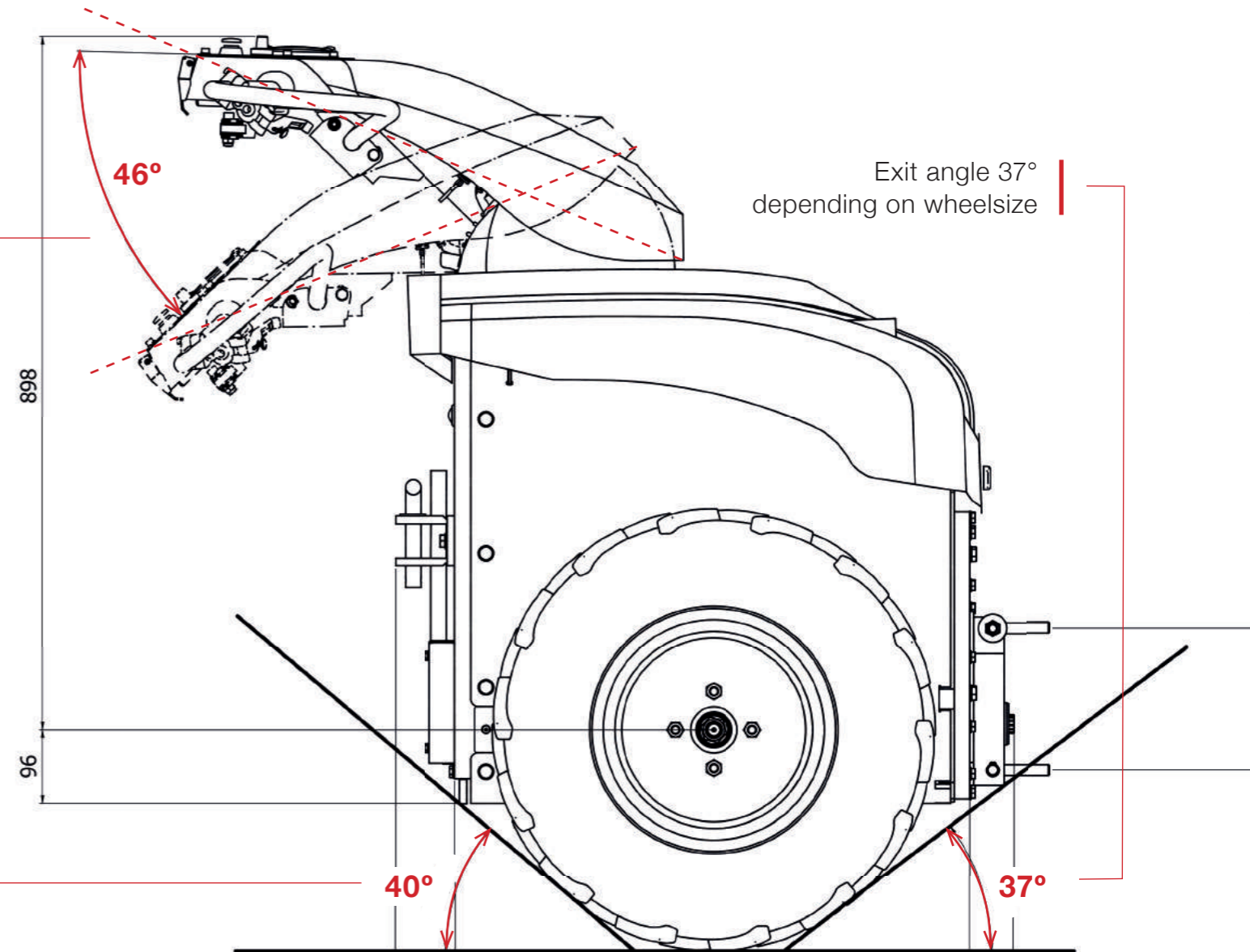
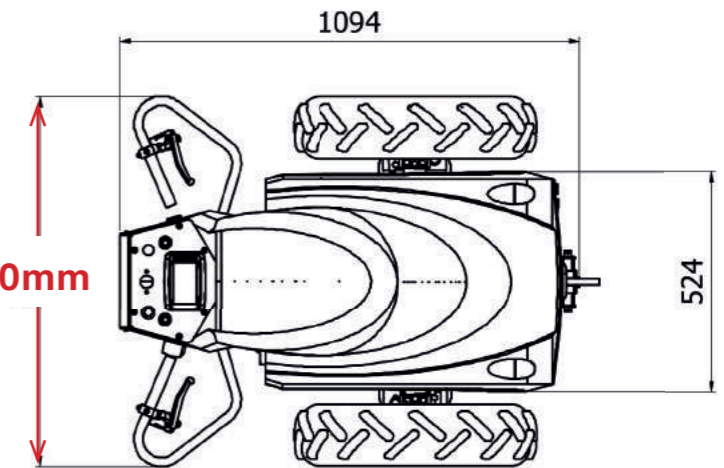
Extreme compact steering with electric height adjustable handle (horizontally and in height)

Angle of inclination 46°

Entry angle 45° (comparable to a Landrover Defender!) depending on wheel diameter

Maximum width 880mm

**880mm**



## Work with me.

# Technical specifications



<b>Item Number</b>	12671 (60 AH) / 13212 (120 AH) / 13244 (180 AH) / 13245 (200 AH)
<b>Product name</b>	M-@M-Trac 2.0
<b>Total size (LxWxH)</b>	1094x880x1186mm
<b>Weight</b>	239 Kg. (without wheels)
<b>Voltage</b>	48 Volt
<b>Battery</b>	Li-ion battery with integrated BMS Multiple battery sizes available
<b>Power</b>	7HP for drive / 10 to 30HP depending on configuration
<b>Max speed</b>	Max. speed 6 km/h, depending on tire size. (reverse = half speed) Electronic speed limitation
<b>Throttle</b>	infinitely adjustable with user definable limiter
<b>Safety</b>	Emergency stop and Belly-switch Entrapment safety in reverse
<b>PTO rpm</b>	Variable 0-1000 rpm Electronically controlled
<b>Handle</b>	Horizontal adjustable - 45 °/ 0 °/ + 45°
<b>Lights</b>	Options for lights on the front/rear, work lights and led-safety lights
<b>Body</b>	Aluminum
<b>Type Coupling</b>	Multiple adapters available
<b>Charger</b>	On-board
<b>Re-charges in</b>	1-10 hours depending on configuration
<b>Display</b>	4,3"
<b>Brakes</b>	Hydraulic disc brakes & E-Motor
<b>Peculiarity</b>	Patented / CE – Patent number: 2017010 (re)charging with M-powervolt



# M-Powervolt



Charger and batteries (up to 200 Ah) are always on board and can be equipped with a multi brand connector or adapters.

- ✓ Several days endurance
- ✓ Use M-Powervolt as a powerbank
- ✓ 8kWh capacity
- ✓ Multitool adapters available
- ✓ Noiseless and emission-free energy source.
- ✓ Suitable for indoor and outdoor use
- ✓ Mobile, movable by 1 person
- ✓ 230V/400V 3 phase
- ✓ Compact

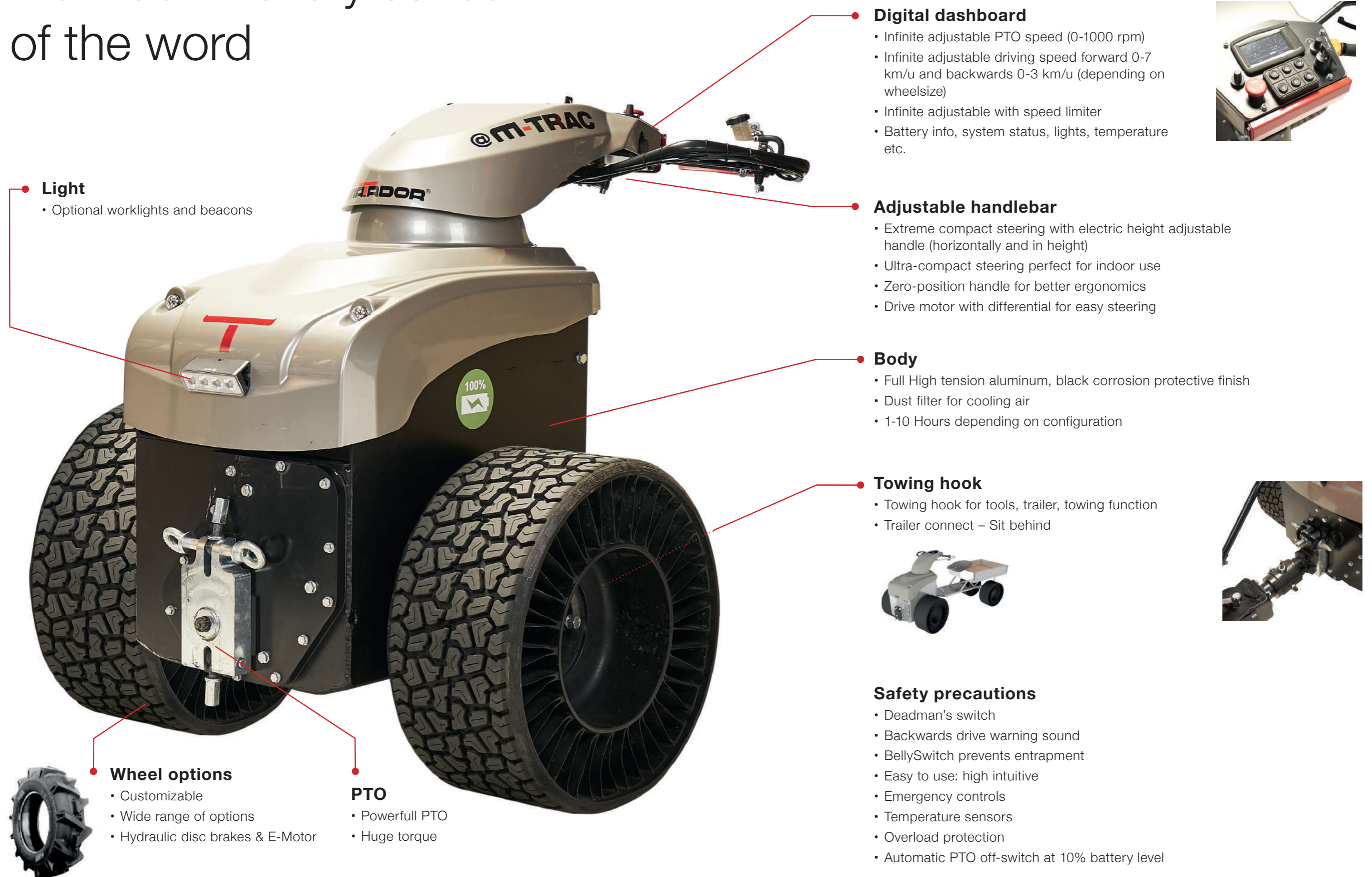


Available colors:

RAL9006

RAL5004

# Multitool in every sense of the word



**Light**  
 • Optional worklights and beacons

**Digital dashboard**  
 • Infinite adjustable PTO speed (0-1000 rpm)  
 • Infinite adjustable driving speed forward 0-7 km/u and backwards 0-3 km/u (depending on wheelsize)  
 • Infinite adjustable with speed limiter  
 • Battery info, system status, lights, temperature etc.



**Adjustable handlebar**  
 • Extreme compact steering with electric height adjustable handle (horizontally and in height)  
 • Ultra-compact steering perfect for indoor use  
 • Zero-position handle for better ergonomics  
 • Drive motor with differential for easy steering

**Body**  
 • Full High tension aluminum, black corrosion protective finish  
 • Dust filter for cooling air  
 • 1-10 Hours depending on configuration

**Towing hook**  
 • Towing hook for tools, trailer, towing function  
 • Trailer connect – Sit behind



**Wheel options**  
 • Customizable  
 • Wide range of options  
 • Hydraulic disc brakes & E-Motor



**PTO**  
 • Powerfull PTO  
 • Huge torque

**Safety precautions**  
 • Deadman's switch  
 • Backwards drive warning sound  
 • BellySwitch prevents entrapment  
 • Easy to use: high intuitive  
 • Emergency controls  
 • Temperature sensors  
 • Overload protection  
 • Automatic PTO off-switch at 10% battery level

# Available wheels

Matador provides with customizable wheels with hydraulic brakes and a wide range of options.

Article Number	Article name	Description	
11015	Michelin 1.1" Wiel	22x11N12, puncture proof	
10736	Michelin 2.2"Wiel	24x12N12, puncture proof	
13246	M-@M-TRAC WIEL 5-12	4PR TT TR128 axle Profile, pneumatic tire	
13266	M-@M-TRAC WIEL 5.70-12	6PR 94 A2 TL SG-813, pneumatic	
13506	M-@M-TRAC WIEL 6.00-9	14 PR TT S-369, pneumatic	
13515	M-@M-TRAC WIEL 155/70	R13 Boka Trailer Line 79 N TL FT01, pneumatic	

# Tools for the universal attachment adapter

Recommended tools are all available at Matador B.V.  
Choose your tool and turn your M-Trac in whatever you need!

M-Trac Tools	Lipco Tools with recommended PTO speed
Item no.	Description
13519	Adapter Agria Lipco
13629	Adapter Agria BCS

13704	M-@M-TRAC-Multi Puropse Harrow UK-90
13705	M-@M-TRAC-Double Gyration Grader KP-125
13892	M-@M-TRAC-Weed Extractor WB-60 (single)
14036	M-@M-TRAC-Weed Extractor WE-90 (double)
14056	M-@M-TRAC-Weed Extractor with trim lines WEF-165 (double, hooded)

14282	M-@M-TRAC-Pathway Weeder WP-90
14352	M-@M-TRAC-Vertical Flail Machine VS-80
14500	M-@M-TRAC- Sickle Mulching Machine VS-L VS-80
14501	M-@M-TRAC-Mowing Bar Machine MA-80
14502	M-@M-TRAC-Cutterbar UM-137

14503	M-@M-TRAC-Combi Sweeper KM-120 (combi)
14504	M-@M-TRAC-Combi (Snow) Sweeper BU-GROB (coarse)
14505	M-@M-TRAC- Combi (Snow) Sweeper BU-FEIN (fine)
14506	M-@M-TRAC- SnowPlough RS-150
14507	M-@M-TRAC-Snow Thrower SE-100
14508	M-@M-TRAC-Salt, Gravel and Sand Spreader SA50-400
14833	Leaf Blower



# M-Trac 2.0

## Walk-Behind Multitool





**100%**  
electric

**0%**  
emission, noise  
or vibration



Torenstraat 29  
5268 AS HELVOIRT  
Nederland

Tel +31-(0)411 641 388  
Email [info@matadorbv.nl](mailto:info@matadorbv.nl)

  [matadorbv](#)  
 [Matador BV Helvoirt](#)  
 [Matador B.V.](#)

[www.matadorbv.com](http://www.matadorbv.com)